

1. Access	2. Accu surviving	3. Single tests	4. Test-Manager	5. Autom. Tests	6. Level measuring	7. L1-Status	8. Configuration
AUTO BRI ARGUS3u AUTO no net TEs NEW MENU U & POTS ARGUS3u AUTO Voltage: 0.0 V No HF signal MONITOR a/b U Manual 1.1 S-Bus - Interface TE automatic select L2 mode P-MP P-P TE P-P TE P-MP NT P-P*** NT P-MP*** Monitor*** Recorder pass. Trace permanent swit. 1.2 U - Interface TE automatic select L2 mode P-MP P-P TE P-P TE P-MP permanent swit. 1.4 POTS POTS terminal POTS monitor 1.5 automatically 1.6 Copper test* 2 wire (R/C) 4 wire (S0)* R.1 Listening netside (NT) R.2 start recording R.3 PC load all R.4 Info Flash R.5 Reset Flash M.1 Listening netside (NT) M.2 Start monitor	charge Accu charge U: xxV Discharge Accu discharge U: xxV during operat. On Off	3.1 bit error test 3.1.1 BERT start S-Bus / U-interface: select number same as 3.2.1 B-channel select permanent swit.: B-channel (64k) B-channel(128k)* D-channel 3.2 supp. serv. test own number 3.2.1 select select spech DFU 64kBit 3.1 kHz audio 7 kHz audio DFU-TA tel. ISDN Fax G3 Fax G4 Mixed Mode Teletex Videotex Telex OSI Tele. 7 kHz Videoconf. 1 Videoconf. 2 3.3 service test select number B channel select 3.4 X.31 Test 3.4.1 Automatically X.31 test number 3.5 CF - Interrogat. own number 3.6 CF - activation select service All Spch DFU A3K1H A7KHz Tel31 TTX FaxG4 ViSyB ViTel FaxG3 Tel7k 3.7 CF - delete select service same as 3.2.1 3.8 MSN Interrogat. 3.9 phone / connec. 3.9.1 Overlap sending select service same as 3.2.1 B channel select number 3.9.2 Enblock select number select service same as 3.2.1 B channel select 3.9.3 Redialing 3.9.4 Keypad Keypad Info 1-3 3.10 time measuring 3.10.1 Cnn. up time destination number select service: same as 3.2.1 B channel select 3.10.2 Term destination number select service: same as 3.2.1 B channel select 3.10.3 Interchan. delay destination number select service: same as 3.2.1 B channel select 3.1.2 BERT wait permanent swit.: B-channel (64k) B-channel (128k)* D-channel 3.3.3 B channel Loop permanent swit.: B channel select all framed cancel all start new one test no 1-10 start display result test dato to PC delete all tests to PC S-Bus: connected line Level: xx V Voltage: xx.x V U-Interface voltage U power U a/b: connected line S-Bus: TE: INFO X NT: INFO X 8.1 Trace/remote* off Auto PC sync.* Manual PC sync.* recording 8.2 ISDN 8.2.1 L1 permanent ? No Yes 8.2.2 protocol Automatically DSS1 CorNet-N CorNet-T CorNet-NQ QSIG VN4 8.2.3 alerting mode automatically manual 8.2.4 BRI termination on off 8.2.5 call parameter User-CGN-TON unknown international national network spec. subscriber abbreviated User-CGN-NP unknown ISDN/telephony data telex national stand. privat User-CDN-TON see User CGN-TON User-CDN-NP see User CGN-NP CGN Subadresse xxxx CGN Subad. Type User specific NSAP CDN Subadresse xxxx CDN Subad. Type User specific NSAP UUI xxxx 8.2.6 Services User Spec.1 User Spec.2 User Spec.3 8.2.7 Call acceptance all MSN only own MSN 8.2.8 Voice coding A-Law μ-Law 8.2.9 DTMF/Keypad DTMF Keypad 8.2.10 Dest. No. MSN 9999 8.3.1.1 CUG-index 148 8.2.12 Keypad Keypad Info 1-3 8.3 BERT 8.3.1 BERT time xx:xx hours 8.3.2 bit pattern (2 ⁿ -1)-1 (2 ^m -1)-1 user specific 0000000000000000 8.3.4 HRX - Wert xx % 8.4 POTS 8.4.1 POTS dial DTMF pulse mode 8.4.2 POTS CLIP FSK DTMF 8.4.3 DTMF - parameter level [db] xx [db] time [ms] xx [ms] interval xx [ms] defaults 8.4.4 FLASH-time xx [ms] 8.5 X.31 8.5.1 TEI xx (xx = auto) 8.5.2 LCN xxxx 8.6 device 8.6.1 menu language Deutsch English Francais 8.6.2 LCD - contrast low ---- high 8.6.3 Baud rate max 230400 Baud max 115200 Baud max 57600 Baud max 38400 Baud max 28800 Baud max 19200 Baud max 9600 Baud 8.6.4 alarm bell off on 8.6.5 Power supply only normal no line power also restr. 8.5.6 Powermanagement Auto. trun off after 5 min after 10 min after 15 min after 30 min deactivated Lighting off after 30 s off after 1 min off after 5 min 8.6.8 Softwareoption insert key xxx-xxxx-xxx 8.7 numbers own number destination no.1 --- destination no.8 X.31 test no. 8.8 reset					



GESELLSCHAFT FÜR
INFORMATIONSTECHNIK mbH

Rahmedestr. 90
58507 Luedenscheid - Germany
Tel +49 (0) 2351/9070-0
Fax G3/G4 +49 (0) 2351/9070-70
E-Mail: sales@argus.info
Internet: www.argus.info

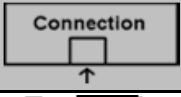
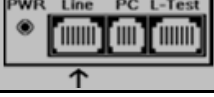

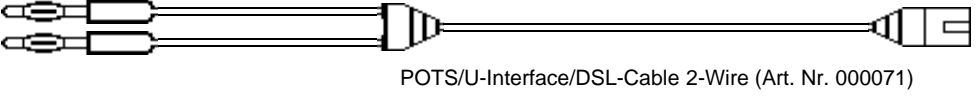

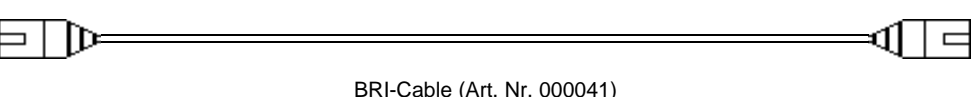
Hotkeys	
Button 4:	automatically test
Button 5:	automatically test to PC
Button 6:	Test-Manager
Button 7:	numbers
Button 8:	trace mode
Button 9:	BERT start
Button v:	Restart
Button Ω:	BRI: level measuring - connected line
	U: level measuring - voltage U
	POTS: level measuring - connected line
Button * 1:	Informations about ARGUS Software
Button * 2:	Reset all parameters

* = optional
** = only by POTS
*** = only by Argus 3u NT

ARGUS® 3uPLUS ARGUS® 3uNT Menu



GESELLSCHAFT FÜR
INFORMATIONSTECHNIK mbH
Rahmedstr. 90
58507 Lüdenscheid - Germany
Tel. +49 (0) 2351/9070-0
Fax +49 (0) 2351/9070-70
www.argus.info

Interface	Argus Operating-Mode	Connection	 ARGUS-ConnectionCable 	 PIN Allocation										
POTS (a/b)	TE / Monitor	Banana	 POTS/U-Interface/DSL-Cable 2-Wire (Art. Nr. 000071)	<table border="1"> <tr> <td>Ban</td> <td>RJ45</td> </tr> <tr> <td>rot</td> <td>7</td> </tr> <tr> <td>sw</td> <td>8</td> </tr> </table>	Ban	RJ45	rot	7	sw	8				
Ban	RJ45													
rot	7													
sw	8													
U-Interface	TE	Banana	 POTS/U-Interface/DSL-Cable 2-Wire (Art. Nr. 000071)	<table border="1"> <tr> <td>Ban</td> <td>RJ45</td> </tr> <tr> <td>rot</td> <td>7</td> </tr> <tr> <td>sw</td> <td>8</td> </tr> </table>	Ban	RJ45	rot	7	sw	8				
Ban	RJ45													
rot	7													
sw	8													
BRI	TE	RJ45	 BRI-Cable (Art. Nr. 000041)	<table border="1"> <tr> <td>RJ45</td> <td>RJ45</td> </tr> <tr> <td>3</td> <td>3</td> </tr> <tr> <td>4</td> <td>4</td> </tr> <tr> <td>5</td> <td>5</td> </tr> <tr> <td>6</td> <td>6</td> </tr> </table>	RJ45	RJ45	3	3	4	4	5	5	6	6
RJ45	RJ45													
3	3													
4	4													
5	5													
6	6													