

ARGUS® 3u basic	
1.	Access
AUTO detection BRI	
ARGUS3b AUTO no net	
TES	
NEW MENU	
U & POTS*	
ARGUS3b AUTO Voltage: 0.0 V	
No HF signal	
MONITOR a/b U	
Manual	
1.1	S-Bus - Interface
TE automatic	
select LZ mode	
P-MP	
P-P	
TE P-P	
TE P-MP	
pass. Trace	
permanent swit.	
1.2	U - Interface
TE automatic	
select LZ mode	
P-MP	
P-P	
TE P-P	
TE P-MP	
permanent swit.	
1.3	POTS*
POTS terminal	
POTS monitor	
1.4	automatically
R.1	Listening
Net (NT)	
R.2	Start Monitor

2.	Accu servicing
charge	
Accu charge	
U: xxV	
Discharge	
Accu discharge	
U: xxV	
during operat.	
On	
Off	

3.	Single tests
3.1	Bit error test
3.1.1	BERT start
S-Bus / U-interface:	
own number	
select service	
look 3.2.1	
B channel select	
permanent swit.:	
B-channel (64k)	
D-channel	
3.2	Supp. serv. test
own number	
3.2.1	select select
specch	
DFU 64kBit	
3.1 kHz audio	
7 kHz audio	
DFU-TA	
tel. ISDN	
Fax G3	
Fax G4	
Mixed Mode	
Teletex	
Videotex	
Telex	
OSI	
Tele. 7 kHz	
Videoconf. 1	
Videoconf. 2	
3.3	Service test
own number	
B channel select	
3.4	X.31 test
3.4.1	Automatically
X.31 test number	
3.4.2	Manual
TEI: xx	
LCN: x	
X.31 test number	
3.5	CF - interrogat.
own number	
3.6	CF - activation
select service	
All	
Spch	
DFU	
ASKHz	
A7KHz	
Tel31	
TTX	
FaxG4	
VISyB	
VITel	
FaxG3	
Tel7k	
3.7	CF - delete
select service	
CFX-type:	
CFU	
CFB	
CFNR	
own number	
destination number	
3.8	MSN interrogat.
3.9	Phone / connec.
3.9.1	Overlap sending
select service	
look 3.2.1	
B channel select	
number	
3.9.2	Enblock
select number	
select service	
look 3.2.1	
B channel select	
3.9.3	Redialing
3.9.4	Keypad
Keypad Info 1-3	

3.1.2	BERT wait
permanent swit.:	
B-channel (64k)	
D-channel	
3.3.3	B channel Loop
permanent swit.:	
B channel select	
All framed	
3.2.2	B channel/service select
DSS1:	
TP-Test	
HOLD-Test	
CLIP-Test	
CLIP / CLIR	
COLP/COLR	
DDI-Test	
MSN-Test	
CF-Test	
CFU	
CFB	
CFNR	
CW-Test	
CCBS-Test	
CCNR-Test	
MCID-Test	
3pty-Test	
ECT-Test	
CUG-Test	
CD-Test	
AOC-Test	
SUB-Test	
UUS-Test	



GESELLSCHAFT FÜR  
INFORMATIONSTECHNIK mbH

Rahmedestr. 90  
58507 Luedenscheid - Germany  
Tel +49 (0) 2351/9070-0  
Tel +49 (0) 2351/9070-0  
Fax G3/G4 +49 (0) 2351/9070-70  
E-Mail: sales@intec-isdn.de  
Internet: www.argus.info

Hotkeys	
Button 2:	service test
Button 3:	supp. serv. test
Button 4:	automatically test
Button 5:	automatically test to PC
Button 6:	Test-Manager
Button 7:	numbers
Button 8:	trace mode
Button 9:	BERT start
Button v:	Restart
Button Ω:	BRI: level measuring - connected line
	U: level measuring - voltage U
	POTS: level measuring - connected line
Button * 1:	Informations about ARGUS Software
Button * 2:	Reset all parameters

\* = optional  
\*\* = only by POTS

4.	Test manager
Cancel all	
Start new one	

5.	Automatic tests
test no 1-10	
start	
display result	
test dato to PC	
delete	
all tests to PC	

6.	Level measuring
S-Bus:	
connected line	
Level: xx V	
Voltage: xx.x V	
U-Interface	
voltage U	
power U	
a/b:*	
connected line	

7.	L1 status
S-Bus:	
TE: INFO X	
NT: INFO X	

8.	Configuration
8.1	ISDN
8.1.1	protocol
Automatically	
DSS1	
VN4	
8.2	BERT
8.2.1	BERT time
xx:xx hours	
8.3	POTS*
8.3.1	POTS dial
DTMF	
pulse mode	
8.4	X.31
8.4.1	TEI
xx	
(xx = auto)	
8.5	device
8.5.1	menu language
Deutsch	
English	
Francais	
8.6	numbers
own number	
destination no. 1	
...	
destination no.8	
X.31 test no.	
8.7	reset

8.1.2	alerting mode
automatically	
manual	
8.1.3	BRI termination
on	
off	
8.1.4	call parameter
User-CGN-TON	
unknown	
international	
national	
network spec.	
subscriber	
abbreviated	
User-CGN-NP	
unknown	
ISDN/telephony	
data	
telex	
national stand.	
privat	
User-CGN-TON	
see User CGN-TON	
User-CGN-NP	
see User CGN-NP	
CGN Subadresse	
xxxx	
CGN Subad. Type	
User specific	
NSAP	
CDN Subadresse	
xxxx	
CDN Subad. Type	
User specific	
NSAP	
UUU	
xxxx	
8.1.5	Call acceptance
all MSN	
only own MSN	
8.1.6	Voice coding
A-Law	
μ-Law	
8.1.7	DTMF/Keypad
DTMF	
Keypad	
8.1.8	Dest. No. MSN
9999	
8.1.9	CUG-Index
148	
8.1.10	Keypad
Keypad Info 1-3	
8.2.2	bit pattern
(2 <sup>n</sup> 15)-1	
(2 <sup>m</sup> 1)-1	
user specific	
0000000000000000	
8.2.3	error level
1E-06	
8.2.4	HRX - Wert
xx %	
8.3.2	POTS CLIP
FSK	
DTMF	
8.3.3	DTMF - parameter
level [db]	
xx [db]	
time [ms]	
xx [ms]	
interval	
xx [ms]	
defaults	
8.3.4	FLASH-time
xx [ms]	
8.5.2	LCD - contrast
low-----high	
8.5.3	Baud rate
max 230400 Baud	
max 115200 Baud	
max 57600 Baud	
max 38400 Baud	
max 28800 Baud	
max 19200 Baud	
max 9600 Baud	
8.5.4	alarm bell
off	
on	
8.5.5	Power supply
no line power	
only normal	
also restr.	
8.5.6	Powermanagement
Auto turn off	
after 5 min	
after 10 min	
after 15 min	
after 30 min	
deactivated	
Lighting	
off after 30 s	
off after 1 min	
off after 5 min	
8.5.7	Softwareoption
insert key	
xxx-xxxx-xxx	

# Menu ARGUS® 3u basic (since version 1.30)

# ARGUS® 3u basic

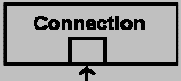
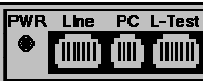

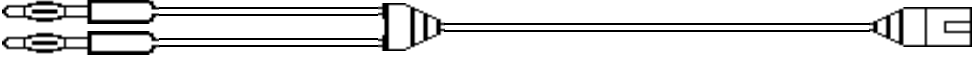
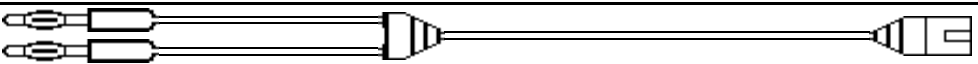
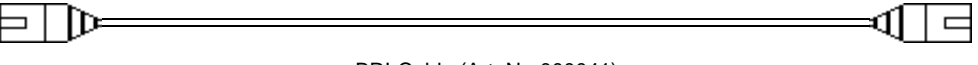
(basic version from ARGUS® 3u<sup>PLUS</sup>)

## Menu



GESELLSCHAFT FÜR  
INFORMATIONSTECHNIK mbH

Rahmedestr. 90  
58507 Lüdenscheid - Germany  
Tel. +49 (0) 2351/9070-0  
Fax +49 (0) 2351/9070-70  
www.argus.info

Interface	Argus Operating-Mode	Connection	 ARGUS-ConnectionCable 	 PIN Allocation										
POTS (a/b)	TE / Monitor	Banana	 POTS/U-Interface/DSL-Cable 2-Wire (Art. Nr. 000071)	<table border="1"> <tr> <td>Ban</td> <td>RJ45</td> </tr> <tr> <td>rot</td> <td>7</td> </tr> <tr> <td>sw</td> <td>8</td> </tr> </table>	Ban	RJ45	rot	7	sw	8				
Ban	RJ45													
rot	7													
sw	8													
U-Interface	TE	Banana	 POTS/U-Interface/DSL-Cable 2-Wire (Art. Nr. 000071)	<table border="1"> <tr> <td>Ban</td> <td>RJ45</td> </tr> <tr> <td>rot</td> <td>7</td> </tr> <tr> <td>sw</td> <td>8</td> </tr> </table>	Ban	RJ45	rot	7	sw	8				
Ban	RJ45													
rot	7													
sw	8													
BRI	TE	RJ45	 BRI-Cable (Art. Nr. 000041)	<table border="1"> <tr> <td>RJ45</td> <td>RJ45</td> </tr> <tr> <td>3</td> <td>3</td> </tr> <tr> <td>4</td> <td>4</td> </tr> <tr> <td>5</td> <td>5</td> </tr> <tr> <td>6</td> <td>6</td> </tr> </table>	RJ45	RJ45	3	3	4	4	5	5	6	6
RJ45	RJ45													
3	3													
4	4													
5	5													
6	6													