

ARGUS[®] 55

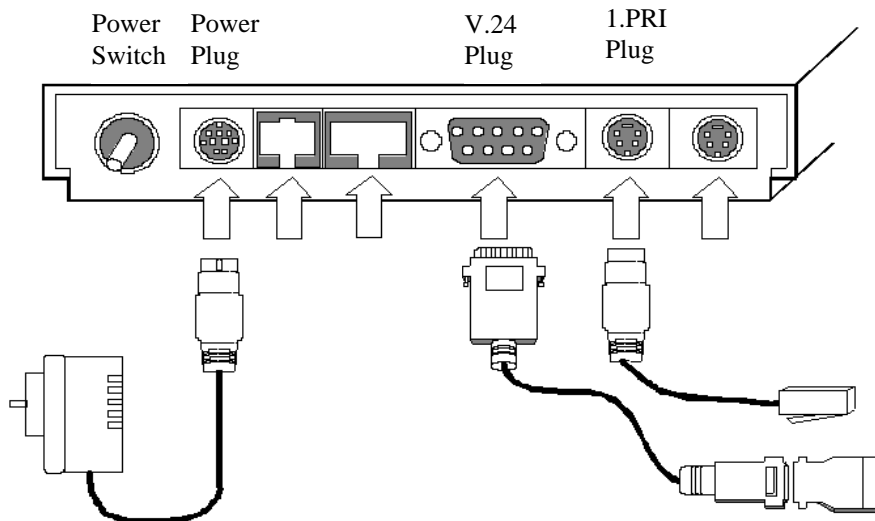


Short instructions

PRI Monitor

Connecting the Argus55 for monitoring

Please only use the supplied cables and adapters for connecting the Argus55. Argus55 is used with the 32-Bit Version of WINanalyse. The cables and adapters are numerated in the following image and text:



1. Connect the Argus55 with the serial connecting cable to a free PC-COM-Port on your PC. If the COM-Port doesn't have a 9 pol. Sub-D-plug, than use the supplied 9/25 pol Sub-D-adapter.
2. Connect the 1.PRI-Plug of the Argus55 with the PRI-Cable to the PRI line
3. Attach the supplied power adapter to the Argus55. Plug the power adapter into a 230 V socket.
4. For using the Argus55 switch on the power switch (5). The light emitting diode (LED) ON glows. The Argus55 automatically starts monitoring the PRI line. During the searching a connection to WINanalyse, the LED PC flashes. After a connection to WINanalyse is established, the LED PC is switched on. During sending trace data to WINanalyse, the LED Remote is switched on.

Pin	Function
1	Signals from Network side
2	
4	Signals from User side
5	